

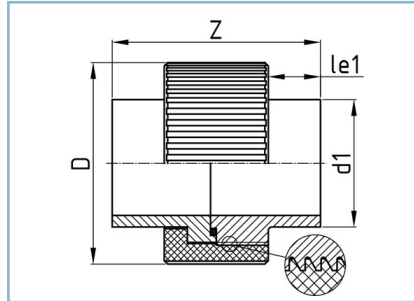
Verschraubung, schwer

- mit EPDM O-Ring
- radialdichtend
- voll druckbelastbar

Union, reinforced type

- with EPDM O-ring
- radial tightness
- in conformity with pressure class

VS - 2021 #1



SDR	≥ 41	33	26	21	17,6	17	13,6	11	9	7,4	6	≤ 5
-----	------	----	----	----	------	----	------	----	---	-----	---	-----

d ₁	l _{e1}	O-Ring	D	Z	Gewicht weight		
					kg	PE 100	PP-R
63	45	63,0 × 6,0	130	160	0,8		
75	45	73,0 × 6,0	140	160	0,9		
90	45	93,0 × 6,0	160	170	1,2		
110	45	103,0 × 6,0	180	180	1,5		
125	45	115,0 × 6,0	195	180	3		
140	45	130,0 × 6,0	220	180	3,6		
160	45	151,8 × 7,0	240	180	4,2		

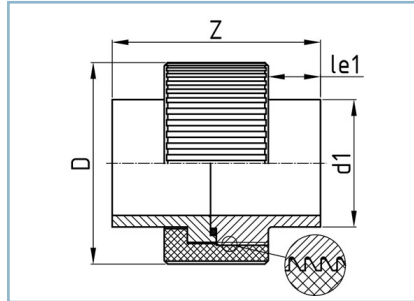
Verschraubung, schwer

- mit EPDM O-Ring
- radialdichtend
- voll druckbelastbar

Union, reinforced type

- with EPDM O-ring
- radial tightness
- in conformity with pressure class

VS - 2021 #1



SDR	≥ 41	33	26	21	17,6	17	13,6	11	9	7,4	6	≤ 5
-----	------	----	----	----	------	----	------	-----------	---	-----	---	-----

d ₁	l _{e1}	O-Ring	D	Z	Gewicht weight		
					kg	PE 100	PP-R
63	45	63,0 x 6,0	130	160	0,9		
75	45	73,0 x 6,0	140	160	0,9		
90	45	93,0 x 6,0	160	170	1,2		
110	45	103,0 x 6,0	180	180	3,2		
125	45	115,0 x 6,0	195	180	3,2		
140	45	130,0 x 6,0	220	180	3,7		
160	45	151,8 x 7,0	240	180	4,4		

