

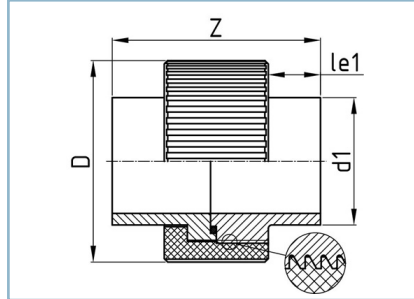
Verschraubung, schwer

- mit EPDM O-Ring
- radialdichtend
- voll druckbelastbar

Union, reinforced type

- with EPDM O-ring
- radial tightness
- in conformity with pressure class

VS - 2019 #1



SDR	≥ 41	33	26	21	17,6	17	13,6	11	9	7,4	6	≤ 5
-----	------	----	----	----	------	----	------	----	---	-----	---	-----

d_1	l_{e1}	O-Ring	D	Z	Gewicht weight	
						kg
63	45	63,0 x 6,0	130	160		0,8
75	45	73,0 x 6,0	140	160		0,9
90	45	93,0 x 6,0	160	170		1,2
110	45	103,0 x 6,0	180	180		1,5
125	45	115,0 x 6,0	195	180		3
140	45	130,0 x 6,0	220	180		3,6
160	45	151,8 x 7,0	240	180		4,2

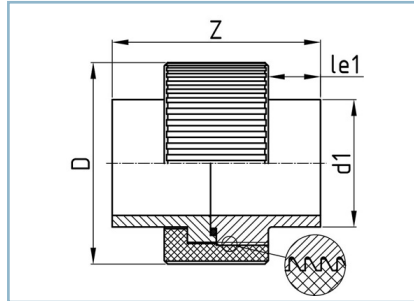
Verschraubung, schwer

- mit EPDM O-Ring
- radialdichtend
- voll druckbelastbar

Union, reinforced type

- with EPDM O-ring
- radial tightness
- in conformity with pressure class

VS - 2019 #1



SDR ≥ 41 33 26 21 17,6 17 13,6 **11** 9 7,4 6 ≤ 5

d ₁	l _{e1}	O-Ring	D	Z	Gewicht weight
					kg
63	45	63,0 × 6,0	130	160	0,9
75	45	73,0 × 6,0	140	160	0,9
90	45	93,0 × 6,0	160	170	1,2
110	45	103,0 × 6,0	180	180	3,2
125	45	115,0 × 6,0	195	180	3,2
140	45	130,0 × 6,0	220	180	3,7
160	45	151,8 × 7,0	240	180	4,4

